

**Caution**

1. Any strong physical collision or impact on the solar panel may cause breakdown or malfunction of product.
2. Dry completely before switch on when the product is affected by water or moisture. Avoid the product from moisture or soaked in water. It will cause breakdown or malfunction.
3. Be sure of electrodes position when you connect electrical power to charge battery. ( Red is "+", Black is "-" electrode)
4. It is recommended full charge of battery under switches "Off" condition to maintain long battery life. Otherwise battery will be discharged quickly and life of battery will be shortened.
5. Remove protection film on solar panel before solar battery charge.
6. Recharge battery when light is weak brightness or not on.
7. Cautions for USB Port to charge mobile phone.

LED Light Color	Recharging With USB	Remark
● RED Light	It is NOT available for recharging any electronic device through USB.	
● Green light when there is no sunshine	It is available for recharging other electronic device through USB but emergency only.	
● Green light while recharging under enough sunshine	It is available for recharging other electronic device through USB.	

(It allows user to recharge a mobile phone via USB port but its availability is subject to the makers or models)

8. Confirm that position of USB switch (No.5) is "On" when an electronic device is not charged.
9. Absolutely do not supply power into USB Port.(NO.6)
10. Do not keep the product inside the vehicles for long period.
11. Recommended battery temperature for proper use is -15 to 45 Celsius degrees.

**Product Warranty**



DAEJIN BATTERY CO., LTD.

고객지원센터 Tel : 02-883-7091 / Tel : +82-2-883-7091  
www.newrxbattery.co.kr

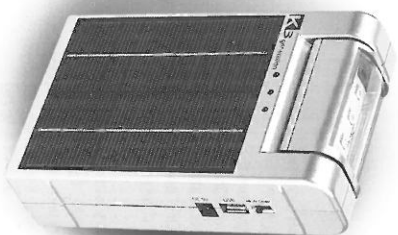
서울특별시 관악구 신림본동 10-633 (대진B/D 2층)

Model	K-3
Name	
Address	
Purchase date yy/mm/dd	

Quality: This products are manufactured under the strict quality control System.

Duration of Warranty Period: 1 year from the purchasing date.

**K3 USER'S GUIDES**



**Specification**


Model	K-3
Solar	9V, 220mA
Battery	6V, 1.2Ah
LED Lantern	1.6W
Size	120mmx199mmx50mm
Weight	710g

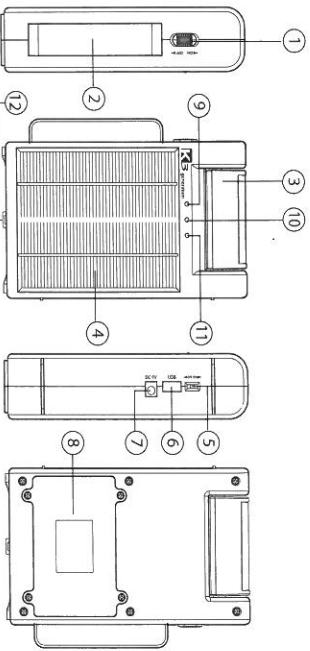
**DAEJIN BATTERY CO., LTD.**

## Features

K-3 meets a policy of green energy which is low carbon green growth is a green product combined with PV technology and LED Light source. By letting the K-3 not light in disable electric assess areas but also store energy itself into rechargeable battery, it saves your money so much and leads to environmental-friendly. The K-3 designed for having a wide light angle is good for being rugged, compact and portable device and surprising affordable.

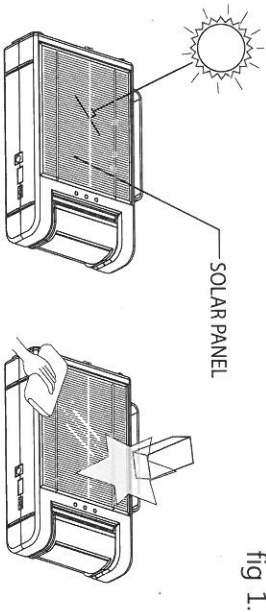
## Parts Name

- ① POWER SWITCH: On/Off ◀ON OFF▶
- ② HANDLE ③ LIGHTING HEAD (LAMP)
- ④ SOLAR PANEL: stores light energy from the sun.
- ⑤ USB switch: it should be placed on "ON" when you charge other electronic devices such as mobile or MP and connect cable to USB port.  
Please ALWAYS place it on the "OFF" position except emergency use.
- ⑥ USB Port: lets mobile or MP3 be charged
- ⑦ EXTERNAL POWER (Optional)  
1) enable to use to charge battery with an AC power:  
(AC adaptor: 9V, 300mA~500mA) 
- ⑧ BATTERY CASE ⑨ LED (RED light): light on when battery charging is required
- ⑩ LED (GREEN light): indicates power on/USB SW ON.
- ⑪ LED (Yellow light): Light on while being charged, "Light off" when charge completed
- ⑫ STRAP HOLE : use for hand carry or hanging from ceiling.



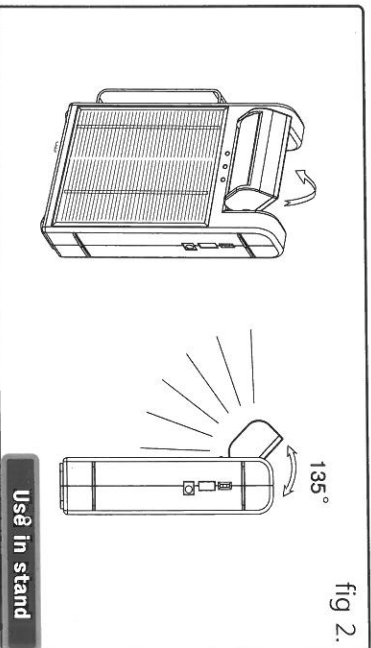
## How To Use

1. Please place the K-3 with right angle to be faced sunshine while recharging as shown the figure 1
2. please use the K-3 as shown thw fig 2 or 3
3. The front of solar panels is always keeping clean and pay attention to external shocks, please figure 1
4. It is designed for adjustable up to maximum 135 degree as figure 2.



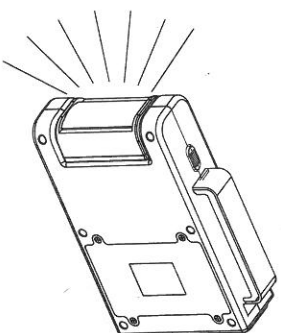
## Recharging in Sunshine

## Clean and fragile



## Use in stand

fig 3.



## Use to Lantern

## Charging & Discharging

1. Battery is able to use for 6 to 10 hours after recharged by sunlight for 5 to 6 hours.
2. K-3 has a function of overcharge resistant leads to safe use although charging time is over.
3. Please make sure that charging speed can be low if there are any Impurities or it casts any shadows over the Solar Panel. (No. ④)
4. RED LED is a signal alarm for the lack of battery power and battery needs to recharge.
5. After lighted on RED LED (No. ⑨), if it dropped under the certain voltage rate (about 5.8V), lamp (No. ③) will stop automatically by running a function that prevents over supply power on the circuit.
6. To recharge batteries, users can not store from sunshine but also use a DC Jack 9V and Cigar Jack (Only 12V) (optional)
7. To recharge mobile or MP3 from this device, please make sure that USB switch should be switched on first. (After used it, please make sure the USB switch should be home positioned)