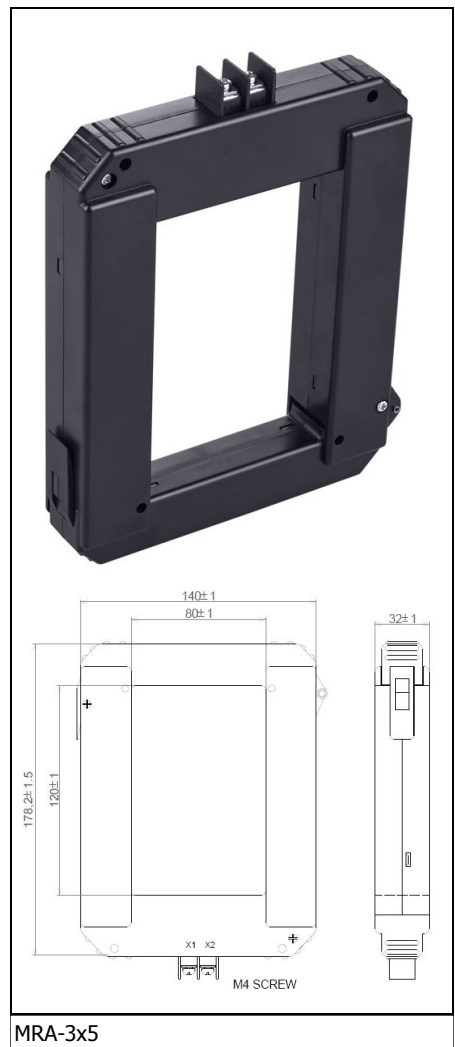
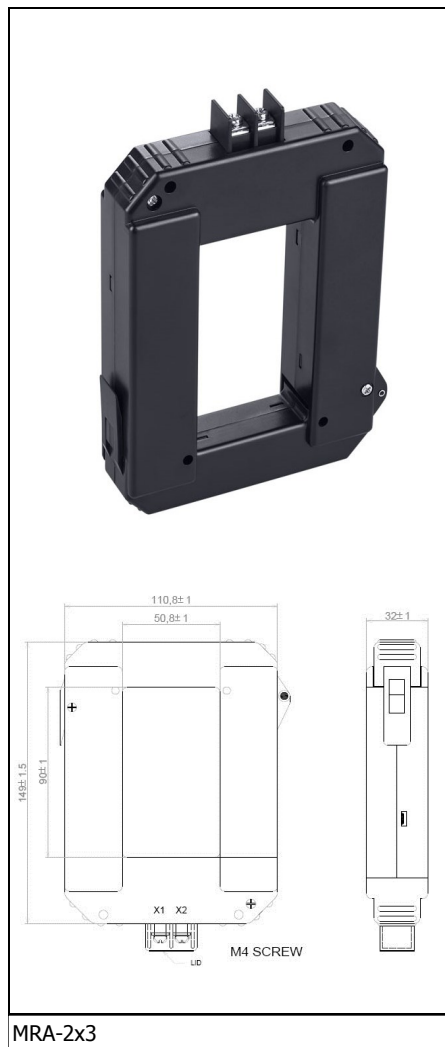
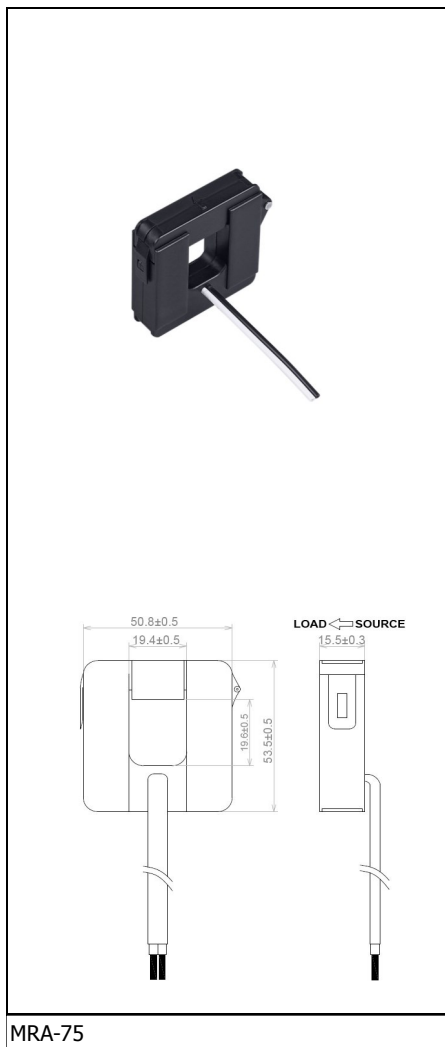


## MILLIAMP REVENUE GRADE SPLIT-CORE CURRENT TRANSFORMERS

	MRA-75	MRA-2x3	MRA-3x5
Primary Wire Window	0.75" (19mm)	2.00"x3.50" (50x90mm)	3.15"x4.75" (80x120mm)
Max Continuous Current (Amps AC)	300A	1500A	2500A
Output @ Max Input (mA AC)	40mA	200mA	166.67mA
Turns Ratio	7500:1	7500:1	15000:1
Insulation Class	600V; 50-400Hz		
Overload	2 x Max Input for 5 seconds		
Uncompensated Accuracy (1% - 120%)	±0.5% (IEC 60044-1, ANSI C57.13-2008 Class 0.5)		
Compensated Metering Accuracy (1% - 120%)	±0.2% (ANSI C12.20 class 0.2)		
Phase Shift	Less than 0.3°		
Leads	AWG #22, 6' (1.8m) 600V	Terminal Block	Terminal Block
Max Open Circuit Voltage	Output Clamped at 7Vac		
Temperature Range	-40°C to 55°C		



Unlike standard 5A CTs, MRA Current Transformers do not produce high voltages when opened. They generate a low energy mA signal level and no special protection and/or shorting blocks are required. Maximum open secondary voltage is clamped at about 7V ac.