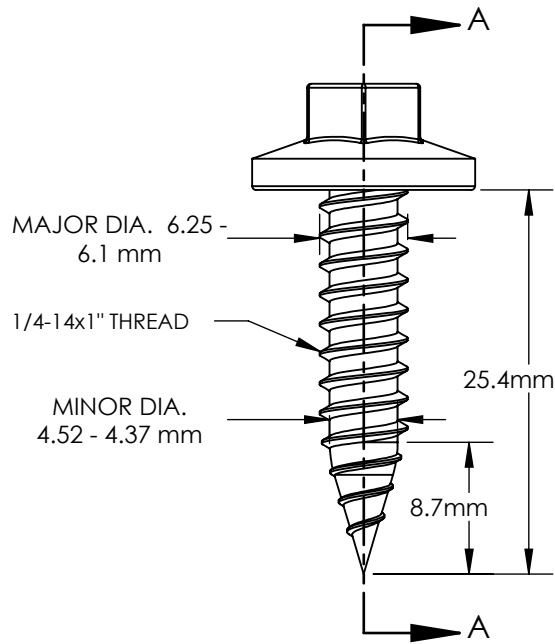
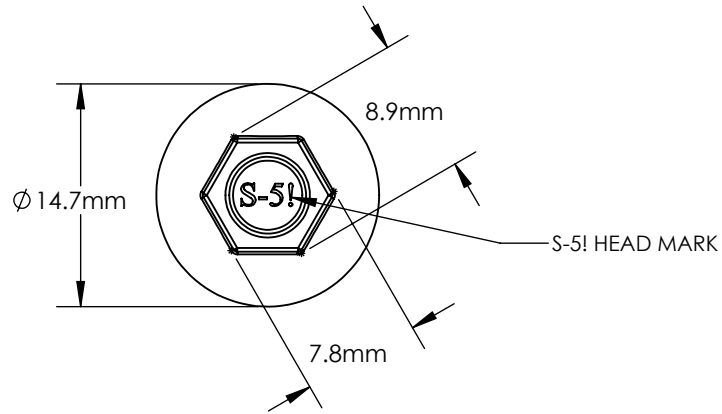
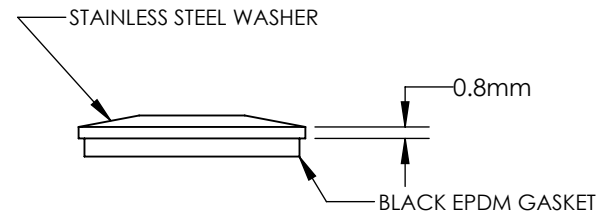
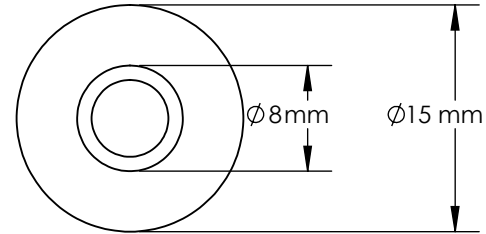


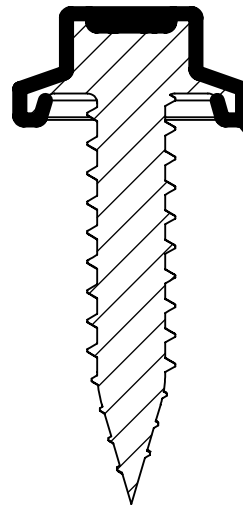
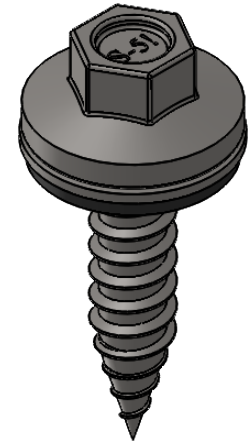
SCREW



WASHER



ASSEMBLY



BOLD LINES SHOW LOCATION OF STAINLESS STEEL CAP

SECTION A-A

Description:  
 1/4" (6.3mm) Diameter - 1" (25mm) Length  
 5/16" (8mm) Stainless Steel Cap Hex Head  
 Stainless Steel Washer with bonded Black EPDM sealing gasket  
 Shaft 1000 HOUR RUSTPERT PER ASTM B-117

		METAL ROOF INNOVATIONS, LTD. 8655 TABLE BUTTE RD COLORADO SPRINGS, CO 80908 719-495-0518 719-495-0045(FAX)	
		TITLE 1/4-14x1" Self Piercing Screw	
DRAWING NO. -		DRAWN BY Paul Leitch	DATE 10/03/2017
SCALE 2:1		FILE NAME	
S-5!® PRODUCTS ARE PROTECTED BY MULTIPLE U.S. AND FOREIGN PATENTS. VISIT OUR WEBSITE AT WWW.S-5.COM FOR COMPLETE INFORMATION ON PATENTS AND TRADEMARKS.			